

Fenac Inductive Contactless Encoders



FNC ASI 200 Series



Technical data - Electrical Ratings

Supply Voltage	5V - 36 VDC \pm 5%
Interface	SSI or BISS
Protection	Overvoltage protection Short-circuit protection
Resolution (steps/turn)	up to 21 bit
Output frequency	up to 2 MHz for SSI up to 10 MHz for BISS
Code	Gray or binary
Output circuit	SSI data linedriver RS485
Interference immunity	DIN EN 61000-6-2
Emitted interference	DIN EN 61000-6-4
Approval	CE

Features

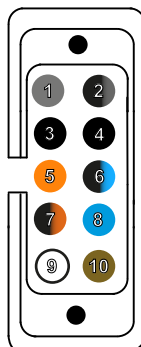
- Non contact inductive technology
- High accuracy
- For high reliability in extreme environments
- Robust mechanical design
- Thin design

Technical data - Mechanical Ratings

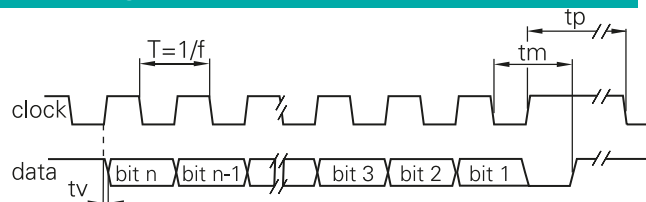
Dimensions	Outer Diameter : 200 mm Inner Diameter : 150 mm
Mounting Type	Clamping or Screw
Materials	Anodized Aluminium
Protection DIN EN 60529	IP 67
Operating temperature	-40 ... +85°C

Cable Wiring

Function	Connector	Color
+VB	pin 10	Brown
GND	pin 9	White
CLK+	pin 8	Blue
CLK-	pin 6	Blue-Black
DATA+	pin 5	Orange
DATA-	pin 7	Orange-Black
ZERO*	pin 1	Gray
FACTORY ZERO**	pin 2	Gray-Black



Pulse Diagram



Clock frequency, f	50 ... 2000 kHz for SSI 50 ... 10.000 kHz for BISS
--------------------	---

Code	Binary
Status and parity bit	On request
Monoflop time tm	20 μ s
Delay time td	<150 ns

During operation;

* : To set the Zero position, apply GND to Zero pin for less than 1 second.

** : To set the Factory Zero position to factory default, apply GND to Factory Zero pin for less than 1 second.

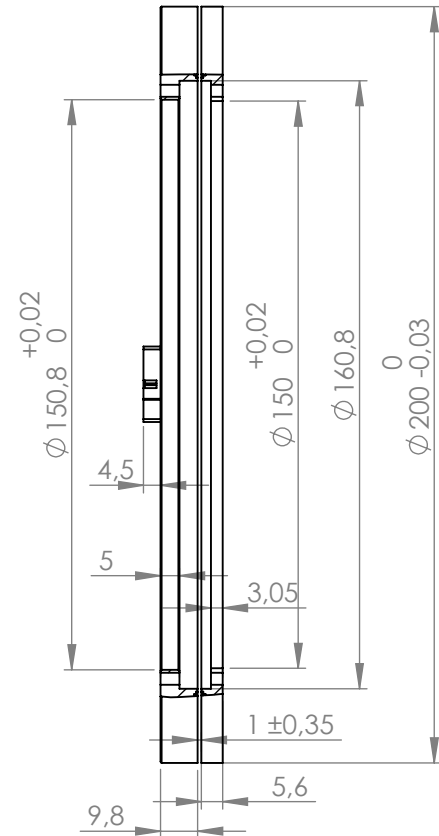
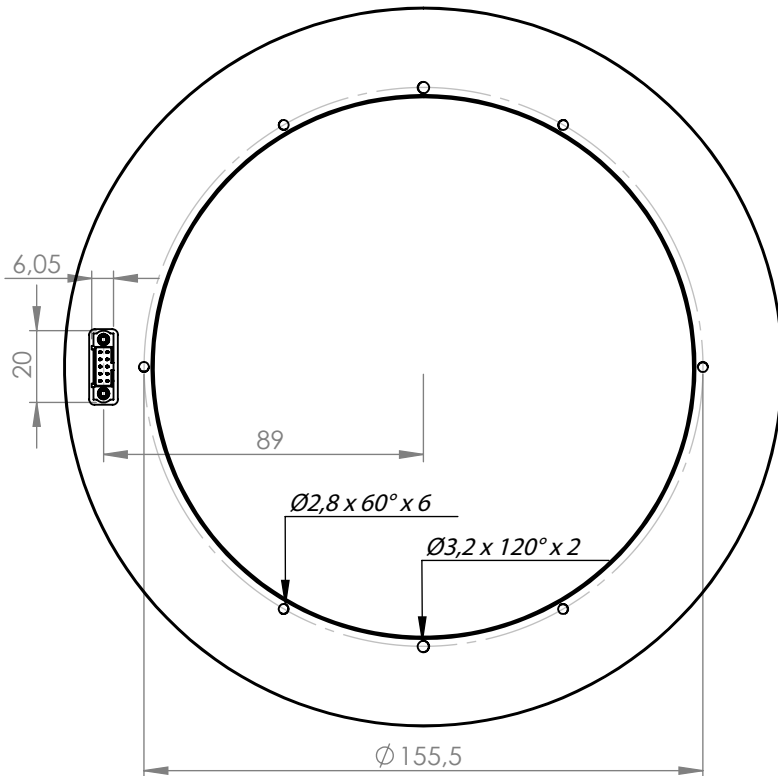
Fenac Inductive Contactless Encoders



FNC ASI 200 Series

Mechanical Dimensions

Screw Mounting Stator - Screw Mounting Rotor Version



Encoder Part Number

FNC AS I 200 SM SM 1 18 36 G - R0.5

Interface
AS : Absolute SSI
AB : Absolute BISS

Sensing Technology
I : Inductive

Outer Diameter
37 : 37 mm **125** : 125 mm
58 : 58 mm **150** : 150 mm
75 : 75 mm **200** : 200 mm
90 : 90 mm **225** : 225 mm
100 : 100 mm

Stator Mounting
SM : Screw Mounting Stator
SC : Servo Clamp Stator
DS : Duplex Stator
EM : External Mount Stator

Rotor Mounting
SM : Screw Mounting Rotor
SS : Setscrew Mounting Rotor
PR : Plain Rotor
DR : Duplex Rotor

Electrical Connections
R0.6 : 0.6 meter cable
C10 : 10 Pin Connector (Consult the factory)

G : Gray

Supply Voltage
5V : 5 VDC
36V : 5 - 36 VDC

Resolution
up to 21 bit

Interface Type
1 : SS1
7 : SS7
 (other options on request)