

## Series 61

*Comprehensive. Intuitive and versatile.*

<https://eao.com/de/61>

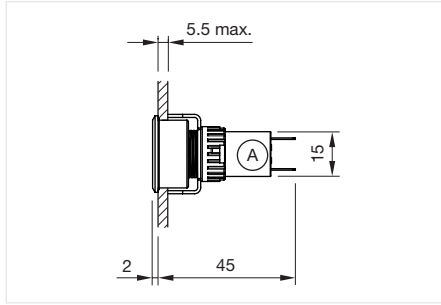


# 61 Flush design

## Buzzer



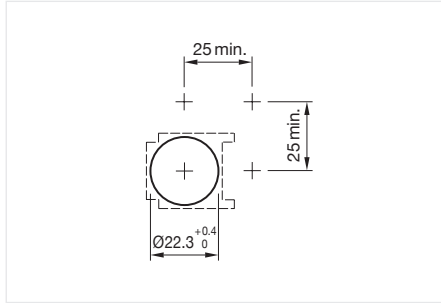
Product can differ from the current configuration.



Dimensions [mm]  
A = Plug-in terminal 2.8 mm x 0.5 mm

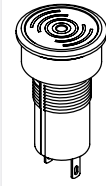
### General information

- Change polarity for continuous or intermittent tone



Mounting cut-outs [mm]

### Equipment consisting of (schematic overview)



Actuator



Thrust piece



Fixing nut

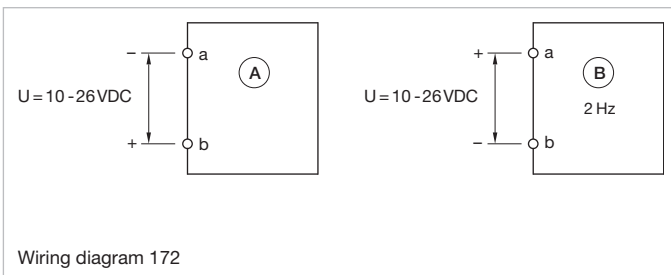
Each Part Number listed below includes all the black components shown in the 3D-drawing.



Actuator, Front dimension Ø 25 mm

Operating voltage	Terminal	IP front protection	Part No.	Wiring diagram
10 - 26 DC	Plug-in terminal	IP40	61-7000.02	172
	Plug-in terminal	IP65	61-7100.02	172

## Wiring diagrams



## Buzzer

### Buzzer system

Electronic non-contacting buzzer with IC oscillator

### Material

**Buzzer case**  
Plastic

**Front bezel**  
Plastic

### Mechanical characteristics

**Terminals**  
Solder/Plug-in terminal 2.8 mm x 0.5 mm

**Tightening torque**  
For fixing nut max. 0.5 Nm

### Electrical characteristics

**Frequency (tone)**  
Approx. 2.0 kHz

**Interval frequency**  
2 Hz

**Sound pressure**  
88 dB (A) ±8 dB at a distance of 0.1 m (IP 40)  
82 dB (A) ±8 dB at a distance of 0.1 m (IP 65)  
Volume variable with a 1 MΩ potentiometer or corresponding fixed resistor

### Electrical characteristics

**Operating voltage**  
10 ... 26 VDC

**Operating current**  
≤20 mA

### Ambient conditions

**Storage temperature**  
−40 °C ... +85 °C

**Service temperature**  
−25 °C ... +55 °C

**Protection degree**  
IP 40  
IP 65

### Approvals

**Conformities**  
CE  
2011/65/EC (RoHS)

01
02
03
04
09
14
17
18
19
22
31
41
45
51
56
57
<b>61</b>
70
71
82
84
92
96