

Series

# 57

*Multi-Legend Display.*

[www.eao.com/57-ml](http://www.eao.com/57-ml)



# Series 57 Multi-Legend Display.

Flexible and clearly visible status displays – with up to 18 customisable symbols for each display – for intuitive status information in public transportation.

Public transportation applications need intuitive indicators that use symbols which are easily identifiable and visible in all conditions. For example, a passenger needs to be able to quickly identify from a distance if a toilet is vacant, occupied or out of order so that they do not unnecessarily waste time waiting or searching for the facilities. In the event of a fire, it is especially important for the alarm symbol to be quickly identifiable. And there are numerous other indicator applications that passengers can benefit from.

The Series 57 Multi-Legend Display is intuitive in use, offers flexibility in operation, is easy to maintain and meets all relevant public transportation standards.

#### Typical applications

- Toilet facilities in trains, on coaches and in public environments
- Various functions for informing and alerting passengers
- Passenger access status indicators

With a 3" TFT display, integrated sensor for adapting the display brightness and a wide viewing angle, this display has been designed from the ground up to be easily identi-

fied. Aside from offering optimum visibility in all lighting conditions, the brightness sensor also optimises the service life of the device by ensuring that the illumination is never brighter than it needs to be. The clear visibility of up to 18 customisable symbols on each display builds upon the large number of combinable display colours and the high display contrast. The symbols displayed can be shown with a resolution of up to 432 x 432 pixels and can be uploaded to the device by using the Multi-Legend Display programming kit.

#### Preprogrammed symbols



The modern HMI design of the Multi-Legend Display is a perfect fit for the Series 57 range of products and is superbly suited to front mounting in sandwich walls due to its low back panel depth. It is connected to power via a 16-pin male/female connector included with the product. A universal terminal is also available for all wire types with a wire cross-section of up to 1.5mm<sup>2</sup> and CAGE CLAMP® connectors. The Multi-Legend Display satisfies the latest relevant standards.

All in all, the Series 57 Multi-Legend Display is the ideal choice for manufacturers of trains, train doors and toilet systems for public environments, because this intuitive indicator is flexible and always clearly visible.

## Advantages.

- Up to 18 customisable symbols per display
- Excellent visibility and wide viewing angle
- Environmentally adaptive sensor for display brightness
- Modern design with low back panel depth
- Complies with relevant standards

### Mechanical characteristics

- Front bezel  
Plastic, grey
- Display  
3.0"-TFT display
- Image format  
432 x 432 PNG
- Brightness  
max. 800 cd/m<sup>2</sup>
- Viewing angle  
140°
- Connection  
WAGO 713-1428/037-000
- Mounting front side

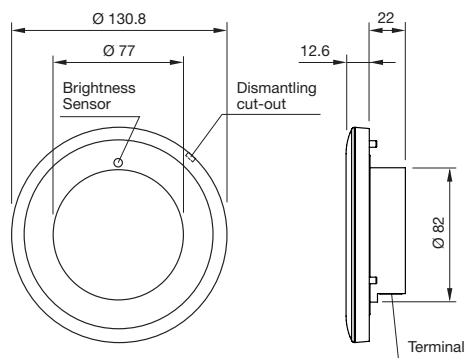
### Electrical characteristics

- Operating voltage 24 VDC (-30 % / +25 %)

### Ambient conditions

- Storage temperature -30°C ... +80°C
- Operating temperature -20°C ... +70°C

### Dimensions (Front and side view)



### Protection degree

- IP65/IP67 front side
- IP20 rear side

### Impact resistance

- IK07

### Railway standards and guidelines

- Correspond to devices
  - EN 50155
  - 16584-1
  - 16584-2
  - 61373
- Fire protection
  - EN 45545-2
- EMC
  - EN 61000-6-2
  - EN 61000-6-3
  - EN 50121-3-2
  - ESD according to EN 61000-4-2 ±20 kV
  - Rule No. EMC 06  
(Deutsche Bahn radio compatibility)

Further information is available at:  
[www.eao.com/57-mld](http://www.eao.com/57-mld)



# EAO Contact.

## *Your centre of excellence.*

### Headquarters

EAO Holding AG  
Tannwaldstrasse 88  
CH-4600 Olten  
Telephone +41 62 286 92 00  
info@eao.com

### Manufacturing Companies

**Switzerland**  
EAO AG  
Tannwaldstrasse 88  
CH-4600 Olten  
Telephone +41 62 286 91 11  
info@eao.com

EAO Systems AG  
Tannwaldstrasse 88  
CH-4600 Olten  
Telephone +41 62 286 91 11  
sales.esy@eao.com

**China**  
EAO (Guangzhou) Ltd.  
3/F, Block G4, South China  
New Materials Innovation Park  
31 Kefeng Road  
Guangzhou Science City  
CN-Guangzhou, PRC  
Telephone +86 20 3229 0390  
sales.ecn@eao.com

**Germany**  
EAO Automotive GmbH & Co. KG  
Richard-Wagner-Straße 3  
DE-08209 Auerbach/Vogtland  
Telephone +49 3744 8264 0  
sales.esa@eao.com

**North America**  
EAO Corporation  
One Parrott Drive  
Shelton  
US-CT 06484  
Telephone +1 203 951 4600  
sales.eus@eao.com

### Sales Companies

**China**  
EAO (Guangzhou) Ltd.  
3/F, Block G4, South China  
New Materials Innovation Park  
31 Kefeng Road  
Guangzhou Science City  
CN-Guangzhou, PRC  
Telephone +86 20 3229 0390  
sales.ecn@eao.com

EAO (Shanghai) Office  
Rm.401, Lihpao Plaza,  
NO.159 Shenwu Road,  
Minhang District,  
CN-Shanghai, 201106.  
PRC  
Telephone +86 21 6095 0717  
sales.ecn@eao.com

**France**  
EAO France SAS  
Nextdoor – Bâtiment Silex  
15 rue des Cuirassiers  
CS 33821  
FR-69487 Lyon Cedex O3  
Telephone +33 9 74 18 93 41  
sales.eufr@eao.com

**Germany, Austria, Czech Republic,  
Poland, Slovakia**  
EAO GmbH  
Langenberger Straße 570  
DE-45277 Essen  
Telephone +49 201 8587 0  
sales.ede@eao.com

**Hong Kong (Asia Pacific)**  
EAO (Far East) Ltd.  
Unit A1, 1/F, Block A  
Tin On Industrial Building  
777 Cheung Sha Wan Road  
Lai Chi Kok, Kln  
HK-Hong Kong  
Telephone +852 27 86 91 41  
sales.ehk@eao.com

**Italy**  
EAO Italia S.r.l.  
Centro Direzionale Summit –  
Palazzo C1  
Via Brescia 26  
IT-20063 Cernusco sul Naviglio (MI)  
Telephone +39 029 247 0722  
sales.eit@eao.com

**Japan**  
EAO Japan Co. Ltd.  
Net 1 Mita Bldg. 3F  
3-1-4 Mita Minato-ku  
JP-Tokyo 108-0073  
Telephone +81 3 5444 5411  
sales.ejp@eao.com

**Netherlands, Belgium**  
EAO Benelux B.V.  
Kamerlingh Onnesweg 46  
NL-3316 GL Dordrecht  
Telephone +31 78 653 17 00  
sales.enl@eao.com

**North America**  
EAO Corporation  
One Parrott Drive  
Shelton  
US-CT 06484  
Telephone +1 203 951 4600  
sales.eus@eao.com

**Switzerland**  
EAO Schweiz AG  
Tannwaldstrasse 86  
CH-4600 Olten  
Telephone +41 62 286 95 00  
sales.ech@eao.com

**United Kingdom, Denmark,  
Finland, Ireland, Norway, Sweden**  
EAO Ltd.  
Highland House  
Albert Drive  
Burgess Hill  
GB-West Sussex RH15 9TN  
Telephone +44 1444 236 000  
sales.euk@eao.com