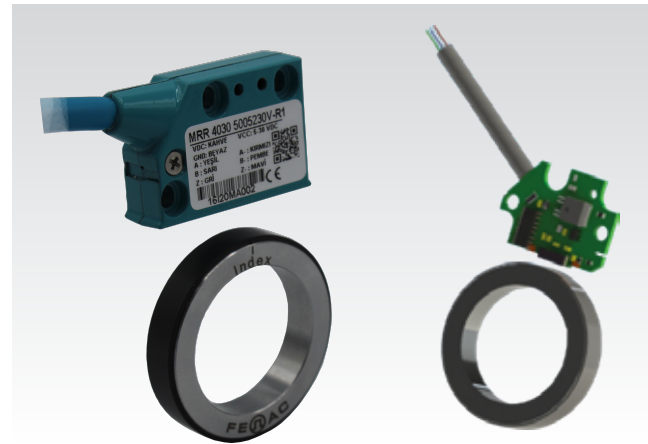


## FNC MRR Series, Incremental Radial



### Features

- Resolution up to 0,001 mm
- Robust mechanical and electrical construction
- Protection to IP67
- Periodic reference signal
- MRR200 (Rotary)

### Resolution Options :

512, 1024, 1600, 2048, 3200, 4096, 524.288

### Technical data - electrical ratings

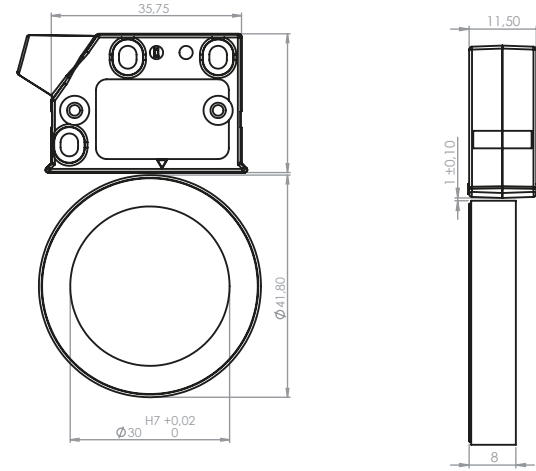
Voltage supply	4.75VDC to 30VDC 4.75VDC to 5.5VDC
Protection:	Output short circuit protection. Reverse polarity protection ( except 5V version )
Consumption w/o load	≤60 mA (24 VDC)
Resolution	See part number selection
Reference signal	Zero pulse, width 90° 180°, 360° optional
Output signals	90° shifted A and B, Z + inverted
Output circuit	Linedriver/RS422 Push-pull short-circuit proof
Interference immunity	DIN EN 61000-6-2
Emitted interference	DIN EN 61000-6-4
Approval	CE

### Technical data - mechanical design

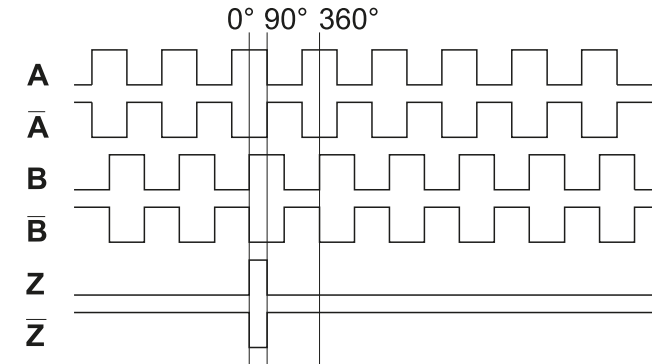
Pole Length	2mm for MRR200 tape
Protection DIN EN 60529	IP 67
Travel speed	≤10000 rpm
Starting torque	≤0.025 Nm (IP 67)
Materials	Ring : Stainless Steel
System accuracy	±0.025mm for rotary ±1°
Repead	±10um
Operating temperature	-10...+70 °C
Storage temperature	-30 °C up to +70 °C
Weight approx.	250 g

## FNC MRR Series, Incremental Radial

### Mechanical Dimensions



### Pulse Diagram



### Cable Wiring

Function	Color	Renk	Explanation
+VB	Brown	Kahve	Supply Voltage
GND	White	Beyaz	Ground
A	Green	Yeşil	A Channel
A'	Red	Kırmızı	A Inverted Channel
B	Yellow	Sarı	B Channel
B'	Pink	Pembe	B Inverted Channel
Z	Gray	Gri	Z Channel
Z'	Blue	Mavi	Z Inverted Channel
Shield	Black	Siyah	Shield

### Encoder Part Number

**FNC MR S R 6 30V 1024 N - R2**

- Flange Type:** S : Sensor Head
- Ring**
- Output Channels:**
  - 1 : A
  - 2 : AB
  - 3 : ABZ
  - 4 : AB+A' B'
  - 6 : ABZ+A' B' Z'
- Supply Voltage and output circuit :**
  - 5V : 5V in / out
  - 245V : 5-30V in 5V out
  - 30V : 5-30V in / out
- Electrical Connections:**
  - Cable** R2 : radial 2m, shield not connected (standart)
  - Connector:** R1204
  - N :** without reference magnet
  - Z :** with reference magnet
- PPR Options :** 512 - 1024 - 1600 - 2048 - 3200 - 4096 - ... 524288

### Ring Part Number

**FNC MRR 64P 41 30**

- Poles :** 64P : 64 Poles
- Outer Diameter** 41 : 41 mm
- Inner Diameter** 30 : 30 mm (other dimensions on request)