

# Absolute encoders - Modular bus covers

Solid shaft with synchro flange  
Magnetic single or multiturn encoders



## FNC AC 58S Bus Cover Series

Canopen & Profibus



### Features

- Encoder single- or multiturn / bus cover
- Magnetic sensing
- Single turn Resolution: 12...19 bit
- Multi turn 4...32bit
- Clamping flange or synchro flange
- Permanent check of code continuity
- Extreme resistance to shock and vibration
- Modular fieldbus interfaces
- Profibus / CANopen® /

### Technical data - electrical ratings

Voltage supply	5.5VDC to 30VDC 4.75VDC to 5.5VDC 8VDC to 30VDC
Protection:	Output short circuit protection. Reverse polarity protection
Consumption w/o load	≤50 mA (24 VDC)
Initializing time typ.	170 ms after power on
Interface	Profibus / CANopen® /
Resolution (steps/turn)	9 to 16 bit
Number of revolution	4, 8, 12, 16, 24, 32,
Code	Binary
Code sequence	CW default, programmable
Absolute accuracy	±0,35°
Device adress	Rotary switch in bus cover
Interference immunity	DIN EN 61000-6-2
Emitted interference	DIN EN 61000-6-4
Approval	CE
Programmable parameters	Steps per revolution Number of revolutions Preset Scaling Rotating direction
Diagnostic functions	Position or parameter error Multiturn sensing
Status indicator	RED&GREEN-LED integrated in bus cover

### Technical data - mechanical design

Dimensions (flange)	ø58 mm
Shaft loading	≤140 N axial ≤240 N radial
Protection DIN EN 60529	IP54, IP65
Operating speed	≤10000 rpm
Starting torque	≤0.025 Nm (IP 67)
Materials	Housing, Flange : Aluminium Shaft : Stainless steel
Shaft diameter:	6, 8 mm ( other diameters on request )
Bearings lifetime:	2x10 <sup>9</sup> rev. at 100% of full rated shaft load (minimum)
Operating temperature	-25...+90 °C
Weight approx.	400 g
Connection	Bus cover
Relative humidity	95 %
Resistance	DIN EN 60068-2-6 Vibration 30 g, 10-2000 Hz DIN EN 60068-2-27 Shock 200 g, 6 ms

### Accessories

**Connectors and cables**  
CRM2312R M23 12 poles female connector or see page 206

**Mounting coupling**  
PF260606 metal coupling or see page 204

**Mounting accessories**  
YY ASTK spring or see page 202-203

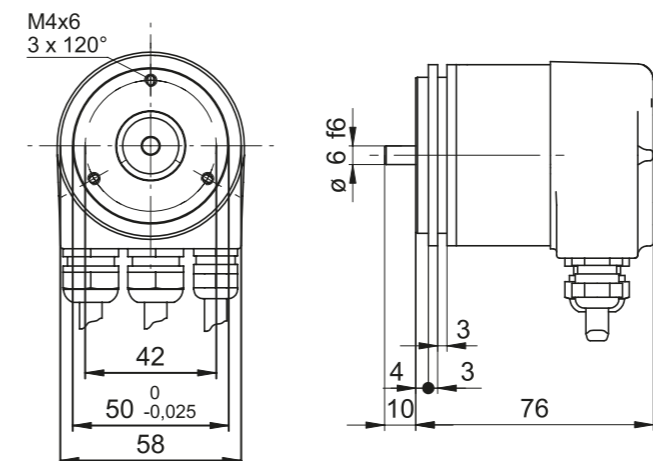
# Absolute encoders - Modular bus covers

Solid shaft with clamping or synchro flange  
Magnetic single- or multiturn encoders



## FNC AC 58S Bus Cover Series

### Mechanical Dimensions



for details see page 114 - 115

### Encoder Part Number

