

JHLN Joystick

SINGLE-AXIS WITH MULTIPLE HANDLES AND OUTPUTS

Compact sizing meets better functionality.

The JHLN joystick is a narrower, bottom-mount version of OTTO's JHL joystick with the same range of output options available. The single-axis, Hall effect JHLN joystick offers either friction hold or spring-return-to-center actuation.

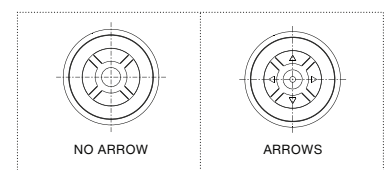
Choose from five handle styles—tall or short, with or without a pushbutton or switch module on top of the handle.

FEATURES

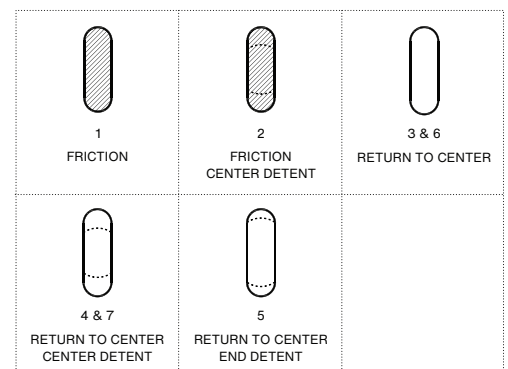
- + Friction hold or smooth spring-to-center actuation
- + Bottom mount with narrow profile
- + Five handle options:
 - Short Handle
 - Short Handle with a pushbutton
 - Tall Handle
 - Tall Handle with a pushbutton
 - Tall Handle with a 4- or 5-position TC switch module
(for other TC Switch module options, please contact factory)
- + Outputs:
 - Analog single/redundant output
 - CANOpen
 - J1939
 - J1939 with PLd for functional safety
 - PWM
- + Electronics sealed to IP6K8S
- + Excellent EMI/RFI immunity
- + RoHS compliant



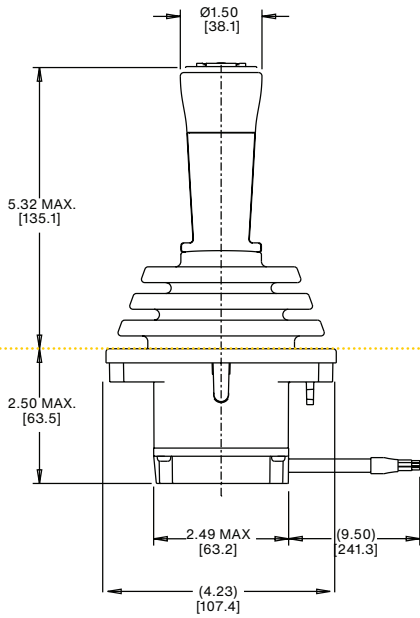
TC BUTTON STYLES



ACTUATION OPTION ICONS



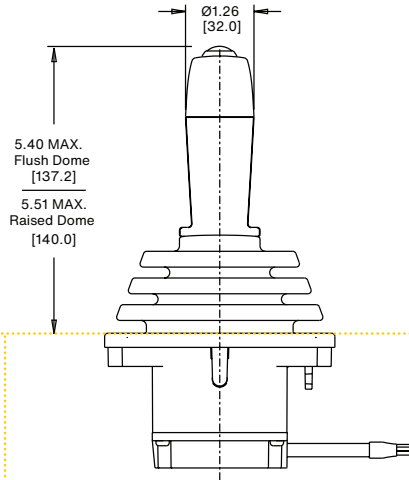
TALL HANDLE WITH TC SWITCH



SAME ON ALL MODELS

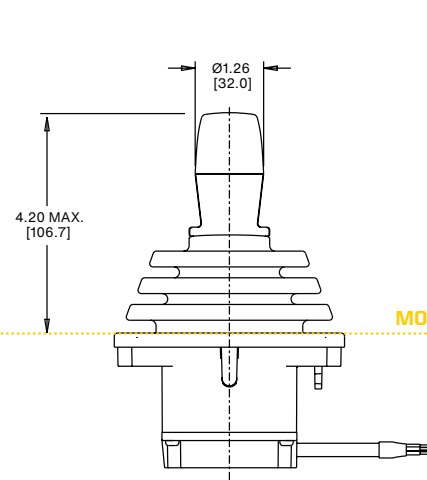
TALL HANDLE WITH PUSHBUTTON

(Also available - Tall Handle without Pushbutton)



SHORT HANDLE WITHOUT PUSHBUTTON

(Also available - Short Handle with Pushbutton)



MOUNTING PLANE

JHLN Part Number Code

JHLN -	X	X	X	X	X	X
Handle Option	Actuation Option	Joystick Output	Operate Force	Switch Option	Button Style	
1. Short Handle	1. Friction, 25° \triangle	Output 1 \triangle Output 2 \triangle	F. Friction \triangle	N. None	N. None	
2. Tall Handle	2. Friction with \triangle	AA 2.5+/-2.0 VDC NONE	1. Low	A. P9 - Flush Dome	1. Red	
3. Tall Handle with TC Switch	3. Center Detent, 25°	BB 2.5+/-2.0 VDC 2.5+/-2.0 VDC	2. Medium	B. P9 - Raised Dome	2. Black	
	4. Return to Center, 25°	CC 2.5+/-2.0 VDC 2.5+/-2.0 VDC	3. High	4. 4 Position $\triangle\triangle$	3. Orange	
	5. Return to Center with Center Detent, 25°	DD 2.5+/-1.5 VDC NONE		5. 5 Position \triangle	4. Yellow	
	6. Return to Center with End Detent, 25°	EE 2.5+/-1.5 VDC 2.5+/-1.5 VDC			5. Green	
	7. Return to Center with Center Detent, 20°	FF 2.5+/-1.5 VDC 2.5+/-1.5 VDC			6. Blue	
		GG 0.5-4.5 VDC 0.5-4.5 VDC			7. Violet	
		HH 1-4 VDC 1-4 VDC			8. Gray	
		JJ CANbus J1939 NONE			9. White	
		KK CANopen NONE			A. No Arrows, \triangle No Backlight	
		LL CANbus J1939, Deutsch NONE			B. Arrows, \triangle No Backlight	
		MM CANopen, Deutsch NONE			C. Arrows with $\triangle\triangle$ Backlight	

- Drawing to be interpreted in accordance with the current revision of ASME Y14.5.
- This Part/Product is to be manufactured with the latest applicable regulations of EC Directives for the restriction of the use of hazardous substances in electrical and electronic equipment (ROHS), waste electrical and electronic equipment (WEEE) and registration, evaluation, authorization and restriction of chemicals (REACH).
- Unless otherwise specified, all dimensions are in inch (Metric). In the event of a conflict, the inch normal value and tolerance will take precedence.

\triangle LABEL TO INCLUDE:
Part Number
"OTTO 21649"
Date Code (YYWW)

* For CANbus J1939 with PLd or PWM options, please contact the factory for details and pricing.

- \triangle Outputs are from the center to the full travel position in each direction. Options "AA", "BB", "CC", "DD", "EE", "FF" provide increased voltage in +Y; and decreasing voltage in -Y direction from one output. Options "GG" and "HH" provide increasing voltages in all directions (+Y, -Y) from 2 outputs.
- \triangle Options: "BB" and "EE" provide redundant output 2 which duplicates Output 1. Options "CC" and "FF" provide redundant output 2 which is inverse of output 1.
- \triangle Friction option only available with actuation option 1 and 2.
- \triangle 4 position switch option only available in button style A. Contact factory for other options.
- \triangle External resistor required for LED circuit when directly wired.
- \triangle Available for TC Switch option only.