

M07 Thruster

The M07 thruster has been proven on the most challenging waters. Nothing compares to the overall feel of these durable, precise controls. A perfect choice for use on the most exquisite yachts, rough water combat ships and every vessel in between.

A masterpiece of construction:

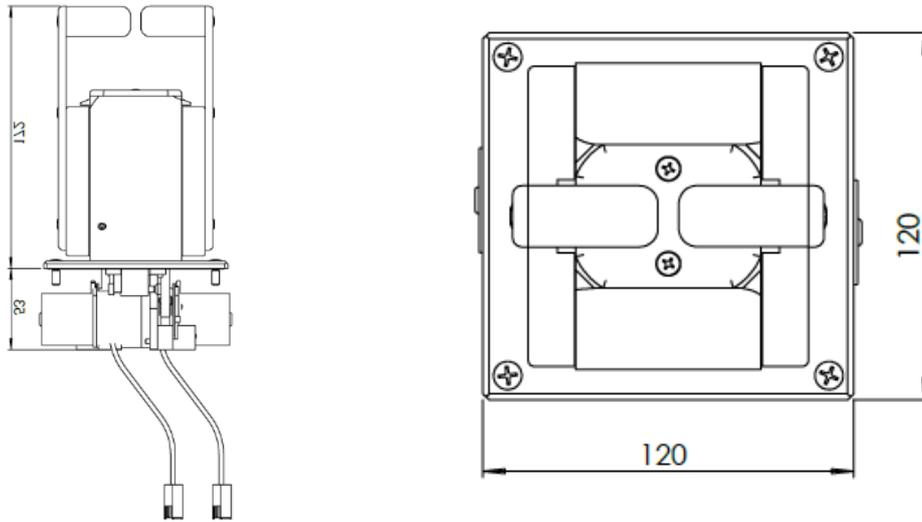
- **Precision control** – The consistent smooth friction, and exact detents will ensure effortless control over the vessel.
- **Premium look** – Brushed black anodized aluminum finish on panel plate.
- **LED illumination** – Dimmable LED illumination guarantees effortless readout in every situation.
- **Safety first** – Can be equipped with dual independent hall-effect sensors.

Other features making M07 irresistible:

- Hall-effect sensor or potentiometer
- Made in Sweden
- W/WO Motor



Standard dimensions



Specifications

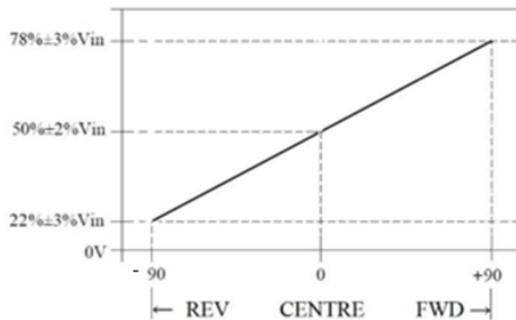
Handle movement	+/-90°
Indicator	10-0-10
Detent	On zero
Materials	Black anodized aluminum, POM handle
Sensors	Hall effect sensor / Potentiometer
Enclosure	IP66 from panel and above
LED	Red, voltage dimmable LED 8-24VDC
Connector	-----
Sensor	Hall- effect Sensor M07-H, M07M-H Potentiometer M07-P, M07M-P
Standard versions:	Double Thruster M07-H (Hall), M07P(Pot.) Double Thruster w.motor M07M-H (Hall), M07M-P(Pot.)
Motor	24V AC/DC

Pin Configuration

Dual Independent Hall-effect sensors	Potentiometer
<ul style="list-style-type: none"> 1.(R) GND LED (Black) 2.(R) +24V LED (Green) 3.(R) In-A +5VDC (STBD Red) 4.(R) GND-A (STBD Black) 5.(R) Out-A (STBD White) 6.(R) In-B +5VDC (STBD Green) 7.(R) GND-B (STBD Yellow) 8.(R) Out-B (STBD Blue) *9.(R) +24V Motor PORT (Red) *10.(R) GND Motor PORT (Black) 3.(L) In-A +5VDC (PORT Red) 4.(L) GND-A (PORT Black) 5.(L) Out-A (PORT White) 6.(L) In-B +5VDC (PORT Green) 7.(L) GND-B (PORT Yellow) 8.(L) Out-B (PORT Blue) *9.(L) +24V Motor STBD (Red) *10.(L) GND Motor STBD (Black) <p>Wiring diagram ST201004</p> <p>*W. Motor Wiring diagram ST201003</p>	<ul style="list-style-type: none"> 1.(R) GND LED (Black) 2.(R) +24V LED (Green) 3.(R) Blue +5V (A) 4.(R) White GND (A) 5.(R) Gray Thrust R (A) 6.(R) Purple +5V (B) 7.(R) Brown GND (B) 8.(R) Pink Thrust R (B) *9.(R) +24V Motor PORT (Red) *10.(R) GND Motor PORT (Black) 3.(L) Blue GND (A) 4.(L) White +5V (A) 5.(L) Orange Thrust L (A) 6.(L) Purple GND (B) 7.(L) Brown +5V (B) 8.(L) Yellow Thrust L (B) *9.(L) +24V Motor STBD (Red) *10.(L) GND Motor STBD (Black) <p>Wiring diagram ST201005</p> <p>*W. Motor Wiring diagram ST201006</p>

Output options

Potentiometer



Hall-effect

