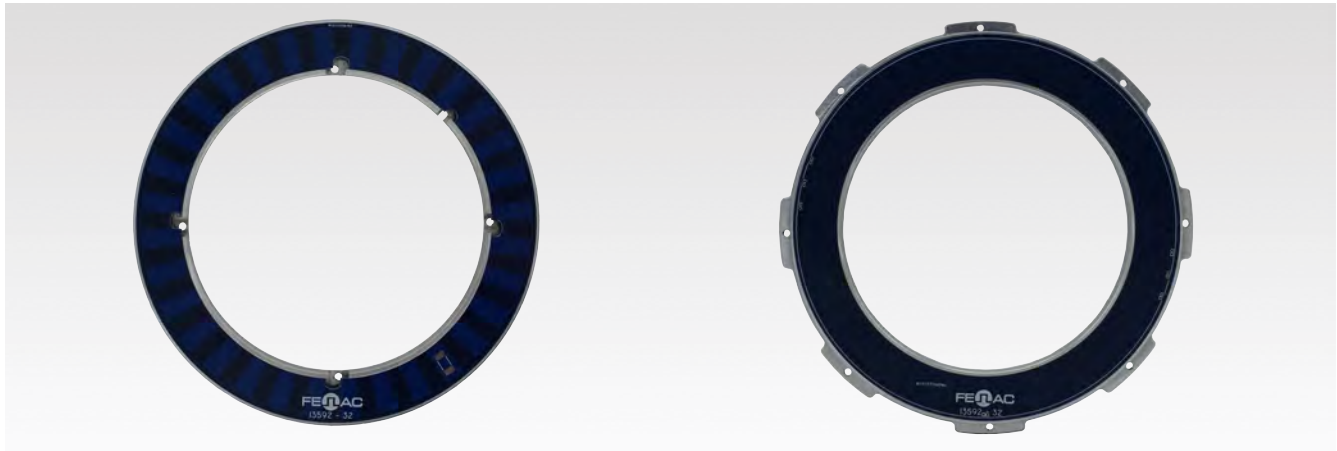


FNC ASI 135 Series

1



Technical data - Electrical Ratings

Supply Voltage	5V - 36 VDC \pm 5%
Interface	SSI or BISS
Protection	Overtoltage protection Short-circuit protection
Resolution (steps/turn)	up to 21 bit
Output frequency	up to 2 MHz for SSI up to 10 MHz for BISS
Code	Gray or binary
Output circuit	SSI data linedriver RS485
Interference immunity	DIN EN 61000-6-2
Emitted interference	DIN EN 61000-6-4
Approval	CE

Features

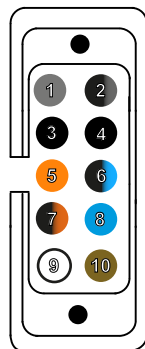
- Non contact inductive technology
- High accuracy
- For high reliability in extreme environments
- Robust mechanical design
- Thin design

Technical data - Mechanical Ratings

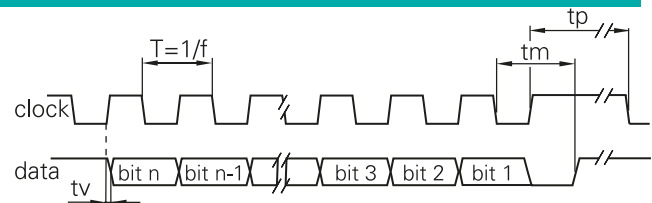
Dimensions	Outer Diameter : 135 mm Inner Diameter : 92 mm
Mounting Type	Clamping or Screw
Mounting Gap	1 mm \pm 0,1
Materials	Anodized Aluminium
Protection DIN EN 60529	IP 67
Operating temperature	-40 ... +85°C

Cable Wiring

Function	Connector	Color
+VB	pin 10	Brown
GND	pin 9	White
CLK+	pin 8	Blue
CLK-	pin 6	Blue-Black
DATA+	pin 5	Orange
DATA-	pin 7	Orange-Black
ZERO	pin 1	Gray
FACTORY ZERO	pin 2	Gray-Black



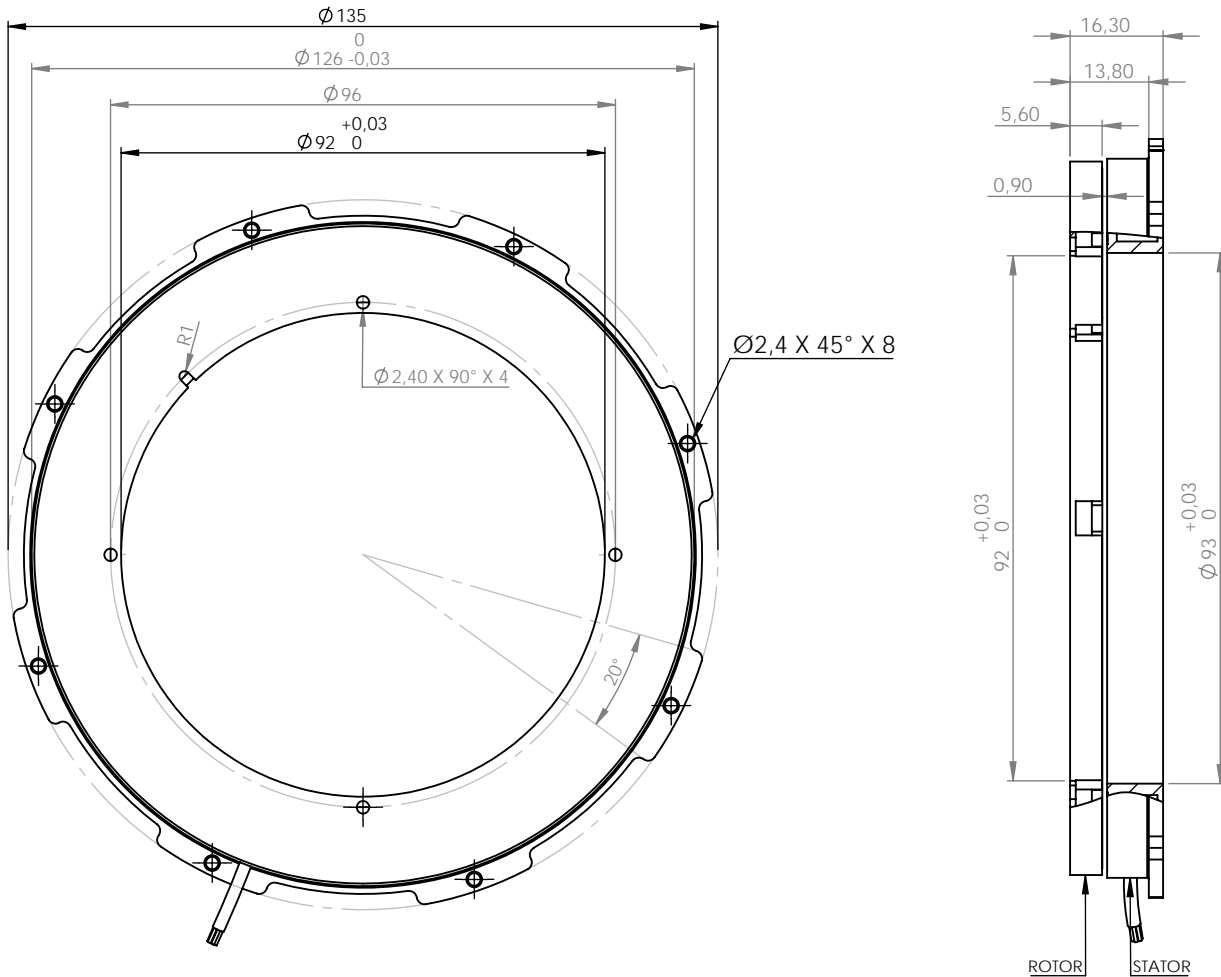
Pulse Diagram



Clock frequency, f	50 ... 2000 kHz for SSI 50 ... 10.000 kHz for BISS
Code	Binary
Status and parity bit	On request
Monoflop time tm	20 μ s
Delay time td	<150 ns

FNC ASI 135 Series

Mechanical Dimensions



Encoder Part Number

