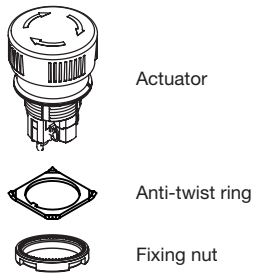
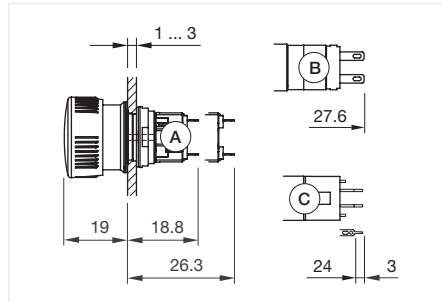


## Stop switch, IP65

### Equipment consisting of (schematic overview)



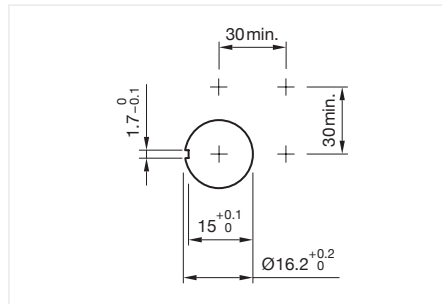
Each Part Number listed below includes all the black components shown in the 3D-drawing.



Dimensions [mm]  
 A = Solder terminal  
 B = Plug-in terminal 2.8 mm x 0.5 mm  
 C = Universal terminal 2.0 mm x 0.5 mm



Product can differ from the current configuration.



Mounting cut-outs [mm]

### General information

- Marking arrows



Actuator, Front dimension Ø 24,5 mm

| Contacts    | Terminal           | Lens colour        | Switching system              | Part No.          | Wiring diagram |     |
|-------------|--------------------|--------------------|-------------------------------|-------------------|----------------|-----|
| 2 NC        | Universal terminal | Red                | Low-level element             | 51-252.026        | 292            |     |
|             | Universal terminal | Black              | Low-level element             | 51-252.0260       | 292            |     |
|             | Universal terminal | Yellow             | Low-level element             | 51-252.0264       | 292            |     |
|             | Universal terminal | Green              | Low-level element             | 51-252.0265       | 292            |     |
|             | Universal terminal | Blue               | Low-level element             | 51-252.0266       | 292            |     |
|             | Universal terminal | Grey               | Low-level element             | 51-252.0268       | 292            |     |
| 1 NC / 1 NO | Plug-in terminal   | Red                | Snap-action switching element | 51-253.022        | 289            |     |
|             | Plug-in terminal   | Black              | Snap-action switching element | 51-253.0220       | 289            |     |
|             | Plug-in terminal   | Yellow             | Snap-action switching element | 51-253.0224       | 289            |     |
|             | Plug-in terminal   | Green              | Snap-action switching element | 51-253.0225       | 289            |     |
|             | Plug-in terminal   | Blue               | Snap-action switching element | 51-253.0226       | 289            |     |
|             | Plug-in terminal   | Grey               | Snap-action switching element | 51-253.0228       | 289            |     |
|             | Universal terminal | Red                | Low-level element             | 51-253.026        | 293            |     |
|             | Universal terminal | Black              | Low-level element             | 51-253.0260       | 293            |     |
|             | Universal terminal | Yellow             | Low-level element             | 51-253.0264       | 293            |     |
|             | Universal terminal | Green              | Low-level element             | 51-253.0265       | 293            |     |
|             | Universal terminal | Blue               | Low-level element             | 51-253.0266       | 293            |     |
|             | Universal terminal | Grey               | Low-level element             | 51-253.0268       | 293            |     |
|             | Soldering terminal | Red                | Snap-action switching element | 51-256.025        | 289            |     |
|             | Soldering terminal | Black              | Snap-action switching element | 51-256.0250       | 289            |     |
|             | Soldering terminal | Yellow             | Snap-action switching element | 51-256.0254       | 289            |     |
|             | Soldering terminal | Green              | Snap-action switching element | 51-256.0255       | 289            |     |
|             | Soldering terminal | Blue               | Snap-action switching element | 51-256.0256       | 289            |     |
|             | Soldering terminal | Grey               | Snap-action switching element | 51-256.0258       | 289            |     |
|             | 1 NC               | Universal terminal | Red                           | Low-level element | 51-256.026     | 291 |
|             |                    | Universal terminal | Black                         | Low-level element | 51-256.0260    | 291 |

Contacts: NC = Normally closed, NO = Normally open

# 51 Raised design

| Contacts    | Terminal           | Lens colour | Switching system              | Part No.    | Wiring diagram |
|-------------|--------------------|-------------|-------------------------------|-------------|----------------|
| 1 NC        | Universal terminal | Yellow      | Low-level element             | 51-256.0264 | 291            |
|             | Universal terminal | Green       | Low-level element             | 51-256.0265 | 291            |
|             | Universal terminal | Blue        | Low-level element             | 51-256.0266 | 291            |
|             | Universal terminal | Grey        | Low-level element             | 51-256.0268 | 291            |
| 2 NC / 2 NO | Soldering terminal | Red         | Snap-action switching element | 51-259.025  | 290            |
|             | Soldering terminal | Black       | Snap-action switching element | 51-259.0250 | 290            |
|             | Soldering terminal | Yellow      | Snap-action switching element | 51-259.0254 | 290            |
|             | Soldering terminal | Green       | Snap-action switching element | 51-259.0255 | 290            |
|             | Soldering terminal | Blue        | Snap-action switching element | 51-259.0256 | 290            |
|             | Soldering terminal | Grey        | Snap-action switching element | 51-259.0258 | 290            |

Contacts: NC = Normally closed, NO = Normally open

## Wiring diagrams

