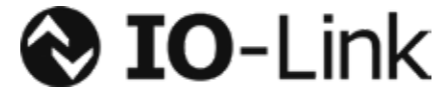


Absolute encoder IO-Link

Shaft with clamping or synchro flange
Singleturn 16 bit



FNC IO 58S Series



Features

- Encoder single IO-Link
- Magnetic sensing
- Magnetic singleturn resolution up to 16 bit
- Clamping flange or synchro flange
- Permanent check of code continuity,
- Extreme resistance to shock and vibration
- Resolution programmable

Technical data - electrical ratings

| | |
|-------------------------|---|
| Voltage supply | 18-30VDC |
| Protection: | Output short circuit protection. Reverse polarity protection |
| Consumption w/o load | <150 mA |
| Interface | IO-Link V1.1 |
| Bit Rate | COM2 |
| Resolution (steps/turn) | Magnetic 16 bit |
| Absolute accuracy | Magnetic ±0,06 |
| Sensing method | Magnetic |
| Code | Binary |
| Code sequence | CW default, programmable |
| Programmable paramaters | Direciton Resolution |
| Note: | All parameters changable via IO-Link interface |
| Interference immunity | DIN EN 61000-6-2 |
| Emitted interference | DIN EN 61000-6-4 |
| Approval | CE |

Technical data - mechanical design

| | |
|-------------------------|---|
| Dimensions (flange) | Ø58 mm |
| Shaft loading | ≤40 N axial ≤80 N radial |
| Protection DIN EN 60529 | IP54, IP65 |
| Operating speed | ≤10000 rpm |
| Starting torque | ≤0.001Nm (IP 65) |
| Materials | Housing, Flange : Aluminium Shaft : Stainless steel |
| Shaft diameter: | 6, 8, 10 mm (other diameters on request) |
| Bearings lifetime: | 2x10 ⁹ rev. at 100% of full rated shaft load (minimum) |
| Operating temperature | -40...+90 °C -40 °F ...+180 °F |
| Weight approx. | 350 g |

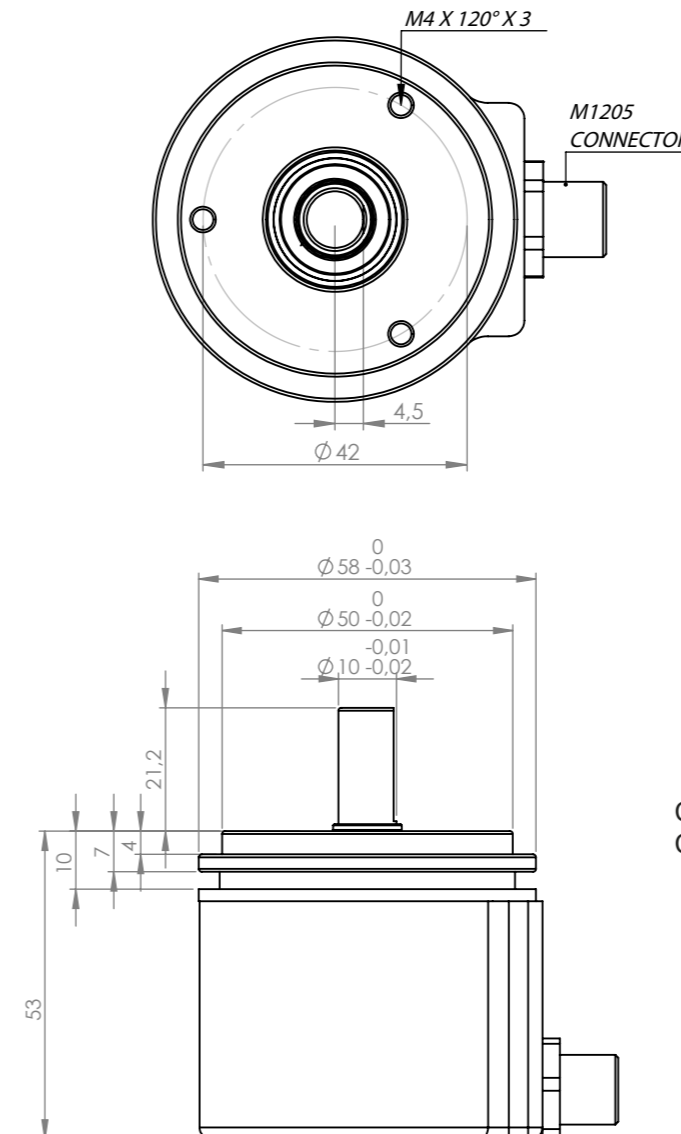
Absolute encoder IO-Link

Mechanical Dimensions
Cable/Connector Wiring, Part Number



FNC IO 58S Series

Mechanical Dimensions

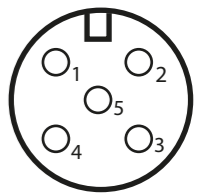


CANopen® features

| | |
|--------------------|--|
| Bus protocol | IO-Link |
| Device profile | Common Profile |
| Rotating direction | The rotating direction in which there have to be ascending or descending position values can be defined. Default setting: Ascending position values when looking at the flange and rotating the shaft clockwise. |
| Resolution | Up to 16 bit |

Terminal assignment

| Connector | Signals |
|-----------|---------|
| Pin 1 | L+ |
| Pin 2 | N.C. |
| Pin 3 | L- |
| Pin 4 | C/Q |
| Pin 5 | N.C. |



Compatible female connector: FCSF M1205
Compatible female connector with 2 meter cable : FCSF M2105 200



Encoder Part Number

