

G3-C Universal Grip High Performance, Ergonomic Control Grip



G3-CK with 8-Button Faceplate Keypad



G3-C with CC Faceplate



G3-CK with Backlighted 8-Button Faceplate and a 10-Button Side Keypad



G3-C with Custom Faceplate Configuration



G3-C with Dual Direction Trigger on Back



G3-C with Pushbutton on Side and Back

Operator presence, trigger switches, side keypads, faceplate keypads and z-axis rotation are the exciting features of OTTO's ergonomically designed G3-C Universal Grip. These enhancements increase the level of functionality, benefiting anyone who requires numerous controls in a grip.

The operator presence uses a sensor to detect the presence of the operator's hand on the grip. The new trigger switch selections for the back of the grip include single trigger, dual momentary trigger and dual maintained trigger. Keypads are available on both the faceplate, with up to 8 switches, and on either side of the grip as a sidecar, with up to 10 switches on each side (G3-CK). Backlighting is also an option. The z-axis feature allows for a +/- 25° horizontal rotation of the grip.

With numerous faceplate selections, the G3-C can be customized from applications requiring basic control functions to those requiring high switch content. The G3-C can be panel mounted as a fixed control grip, panel mounted with z-axis, or it can be mounted on an OTTO JH, JHL and JHM joystick with or without z-axis.

The G3-C is designed for use with OTTO's pushbuttons, rockers, toggles and Hall effect switches, and can handle many types of high-performance industrial vehicle and machinery applications.

Features

- The grip can be used with either the left or right hand
- Operator presence option
- Z-axis option with +/- 25° rotation
- Numerous standard faceplate designs incorporating up to 8 control switches (G3-C) or an 8-button keypad (G3-CK)
- 10-button side keypad option (G3-CK)
- Switch selections for the back of the grip handle include pushbutton, thumbwheel and trigger switches
- Various mounting & termination styles available
- Includes mounting adapter with boot ring

Benefits

- Modular design reduces the need for tooling charges
- Compatible with the OTTO JH, JHL and JHM series Hall effect Joysticks
- Accommodates a full line of OTTO pushbutton, rocker, toggle, and Hall effect switches

G3-C & G3-CK UNIVERSAL GRIPS

Standard Characteristics/Ratings:					
ELECTRICAL RATINGS:					
K1 Switches					
Electrical Rating @ 28 VDC	16 AMP Resistive Load; 7 AMP Inductive Load				
Electrical Life	25,000 Cycles at Full Load				
Keypads					
Circuit Configuration	SPST N.O.				
Voltage	1–32 VDC				
Current	10–100mA Resistive				
P9 Switches, Single and Dual Trigger					
Electrical Rating @ 28 VDC	5 AMP Resistive Load; 3 AMP Inductive Load		10mA Resistive Load @ 5VDC		
Electrical Life	25,000 Cycles at Full Load		1,000,000 Cycles		
HTWM Switches					
Rated at Vcc = 5V @ 25°C; Load = 1ma (4-7KΩ)					
Supply Voltage	Units	Min	Typ	Max	
Output Voltage - Return to Center	VDC	-0.15	N/A	+0.15	
Tolerance at Center	@ 5V Vcc				
Output Voltage - Return to End	VDC	-0.25	N/A	+0.25	
Tolerance at Rest	@ 5V Vcc				
Output Voltage	VDC	-0.25	N/A	+0.25	
Tolerance Full Travel	@ 5V Vcc				
Supply Current	mA	N/A	N/A	10	
B=0, Vcc=5V, Iout=0					
HTWS Switches					
Rated at Vcc = 5V @ 25°C; Load = 1ma (4-7KΩ)					
Supply Voltage	VDC	4.50	5.00	5.50	
Output Voltage	VDC	-0.25	N/A	+0.25	
Tolerance at Center	@ 5V Vcc				
Output Voltage	VDC	-0.25	N/A	+0.25	
Tolerance Full Travel	@ 5V Vcc				
Supply Current	mA	N/A	N/A	20	
B=0, Vcc=5V, Iout=0					
HRTL4 Switches					
Rated at Vcc = 5V @ 25°C; Load = 1ma (4-7KΩ)					
Supply Voltage	VDC	4.50	5.00	5.50	
Output Voltage	VDC	-0.25	N/A	+0.25	
Tolerance at Center	@ 5V Vcc				
Output Voltage	VDC	-0.25	N/A	+0.25	
Tolerance Full Travel	@ 5V Vcc				
Supply Current	mA	N/A	10	12	
B=0, Vcc=5V, Iout=0					
TC-5 Switches					
Electrical Rating @ 1–32 VDC	10–100mA				
Electrical Life	3,000,000 Cycles				
Operator Presence					
Rated at Vcc = 5V @ 25°C; Load = 1ma (4-7KΩ)					
Supply Voltage	VDC	3.00	NA	5.50	
Output (Active Low)	VDC	N/A	N/A	0.60	
Output Current (Sink)	mA	N/A	N/A	20	

Standard Characteristics/Ratings (continued):				
MECHANICAL RATINGS				
K1 Switches				
Mechanical Life	100,000 Cycles			
Keypads				
Mechanical Life	3,000,000 Cycles			
P9 Switches, Single and Dual Trigger				
Mechanical Life	1,000,000 Cycles			
HTWM Switches				
Mechanical Life	3,000,000 Cycles (Return to Center) 1,000,000 Cycles (Return to End)			
HTWS Switches				
Mechanical Life	3,000,000 Cycles (Full Forward to Full Back)			
HRTL4 Switches				
Mechanical Life	3,000,000 Cycles			
TC-5 Switches				
Mechanical Life	3,000,000 Cycles			
ENVIRONMENTAL:				
Operating Temperature:	Units	Min	Typ	Max
	° C	-40*	20	85
K1 Switches				
Switch Seal Integrity	Watertight per IP68S and IP69K			
Keypads				
Switch Seal Integrity	Watertight per IP68S and IP69K			
P9 Switches, Single and Dual Trigger				
Switch Seal Integrity	Watertight per IP68S and IP69K			
HTWM Switches				
Electronics Seal Integrity	Watertight per IP68S and IP69K			
HTWS Switches				
Electronics Seal Integrity	Watertight per IP68S and IP69K			
HRTL4 Switches				
Electronics Seal Integrity	Watertight per IP68S and IP69K			
TC-5 Switches				
Electronics Seal Integrity	Watertight per IP68S and IP69K			
Grip				
Seal Integrity	Unsealed			
MATERIALS:				
Handle	Thermoplastic, Glass Reinforced, Black			
Faceplate	Thermoplastic, Glass Reinforced, Black			
Keypads	Silicone Rubber, Black			
Keypads, Lighted	Silicone Rubber, Black with White Graphic			
Wires	22 AWG			
Side Keypad Wires	24 AWG			
Wire Length	40 +/- 3 inches			

* The min. temperature is -30°C when using a K1 switch.

G3-C UNIVERSAL GRIP PART NUMBER CODE

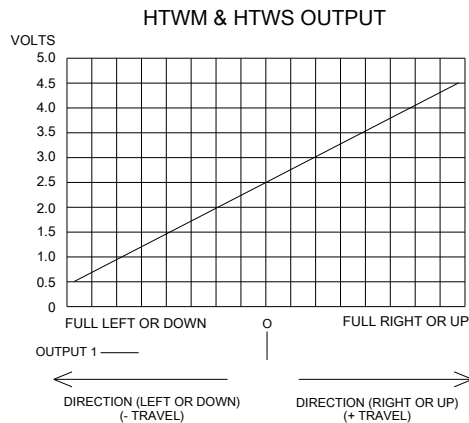
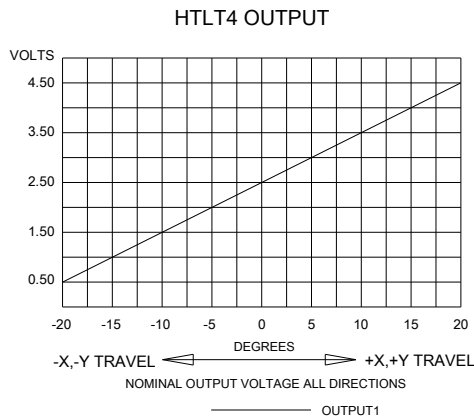
G3-C	X	XX	X	X	X	X	Part Number Code Continues Below
Configuration	Faceplate	Trigger in Handle	PB in Grip Head - Black	K1 Rocker #1 Style - Black **	K1 Rocker #2 Style - Black **		
1. Grip With Adapter 2. Grip Without Adapter	See Configuration Sheet	1. None 2. One Pushbutton, Black 3. Two Pushbuttons, Black 4. HTWS* 5. Single Direction Momentary 6. Dual Direction Momentary 7. Dual Direction Maintained	1. None 2. Left 3. Right 4. Left & Right	1. None 2. ON-OFF 3. (ON)-OFF 4. ON-OFF-ON 5. (ON)-OFF-(ON)	1. None 2. ON-OFF 3. (ON)-OFF 4. ON-OFF-ON 5. (ON)-OFF-(ON)		
				* HTWS-1A12X22			
				** () denotes momentary action. On position or momentary position is up or to the right. Contact factory for rocker legends and additional color options.			

G3-C PART NUMBER CODE CONTINUED

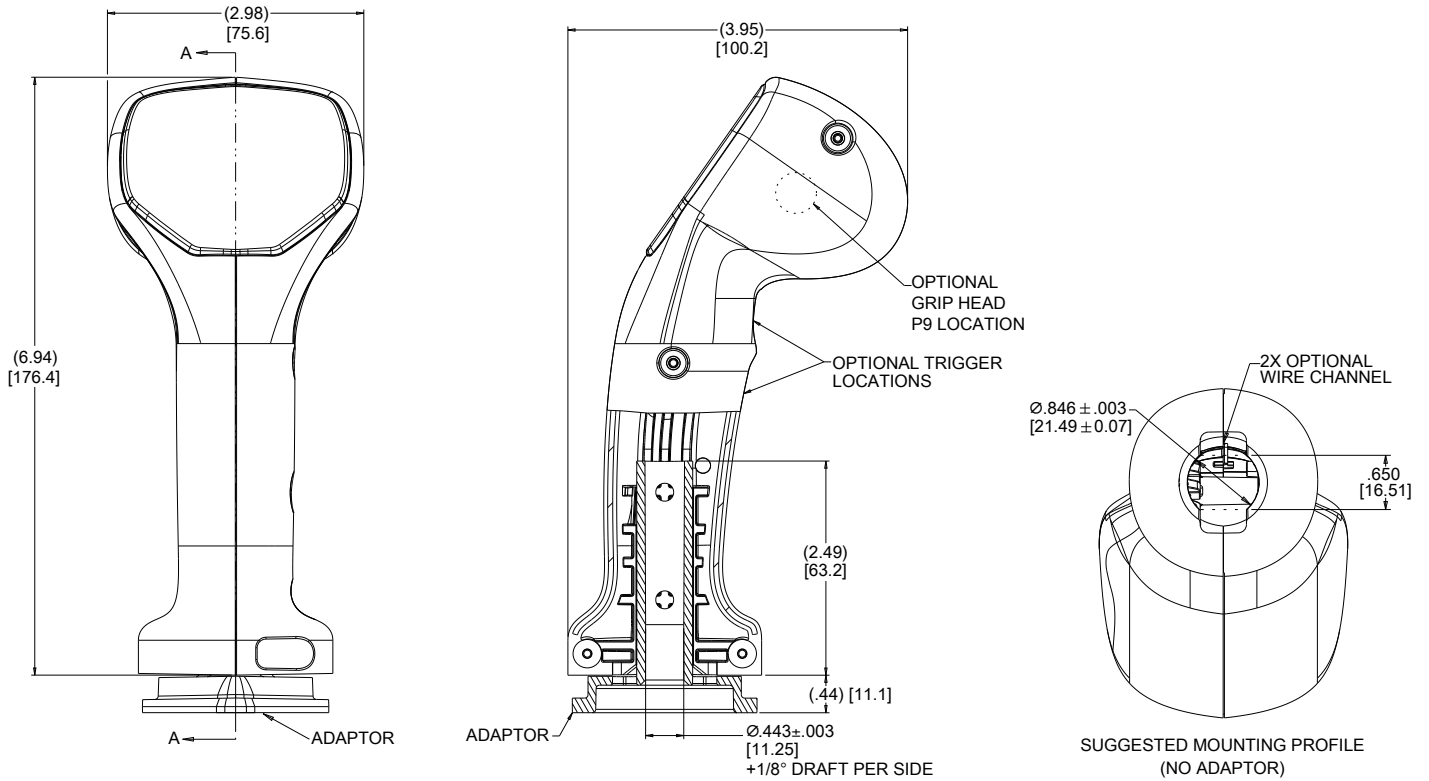
HTWM #1***	HTWM #2***	P9 Button #1 Color	P9 Button #2 Color	P9 Button #3 Color	P9 Button #4 Color	P9 Button #5 Color	P9 Button #6 Color	P9 Button #7 Color	P9 Button #8 Color
1. None 2. Return to Center ¹ 3. Return to End ²	1. None 2. Return to Center ¹ 3. Return to End ²	N. None 1. Red 2. Black 3. Orange 4. Yellow 5. Green 6. Blue 7. Violet 8. Gray 9. White	N. None 1. Red 2. Black 3. Orange 4. Yellow 5. Green 6. Blue 7. Violet 8. Gray 9. White	N. None 1. Red 2. Black 3. Orange 4. Yellow 5. Green 6. Blue 7. Violet 8. Gray 9. White	N. None 1. Red 2. Black 3. Orange 4. Yellow 5. Green 6. Blue 7. Violet 8. Gray 9. White	N. None 1. Red 2. Black 3. Orange 4. Yellow 5. Green 6. Blue 7. Violet 8. Gray 9. White	N. None 1. Red 2. Black 3. Orange 4. Yellow 5. Green 6. Blue 7. Violet 8. Gray 9. White	N. None 1. Red 2. Black 3. Orange 4. Yellow 5. Green 6. Blue 7. Violet 8. Gray 9. White	N. None 1. Red 2. Black 3. Orange 4. Yellow 5. Green 6. Blue 7. Violet 8. Gray 9. White

*** Positive travel is up or to the right. Contact factory for additional options.
 **** Contact factory for additional options.

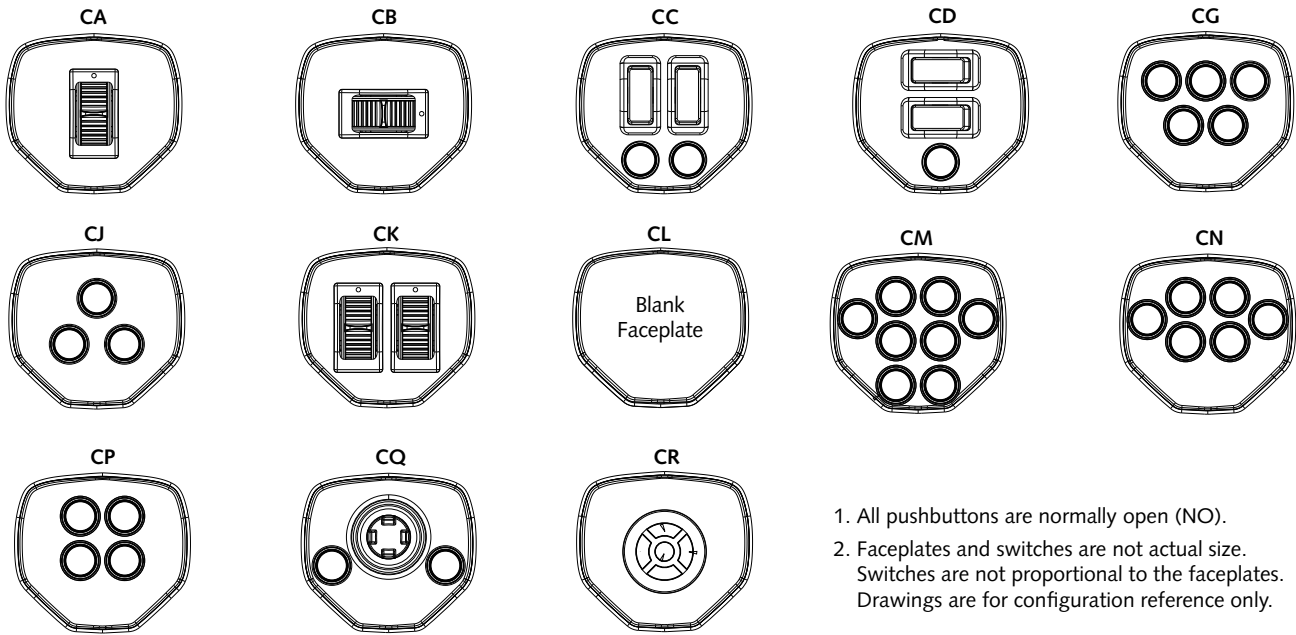
G3-C UNIVERSAL GRIP OUTPUT



G3-C UNIVERSAL GRIP DRAWINGS



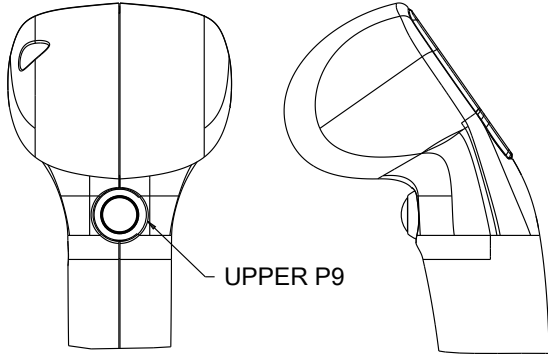
G3-C UNIVERSAL GRIP FACEPLATES



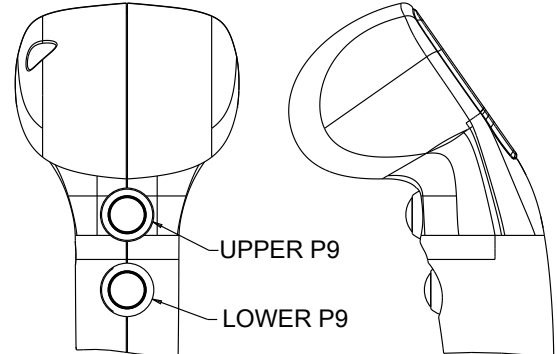
1. All pushbuttons are normally open (NO).
2. Faceplates and switches are not actual size. Switches are not proportional to the faceplates. Drawings are for configuration reference only.

G3-C UNIVERSAL TRIGGER CONFIGURATIONS

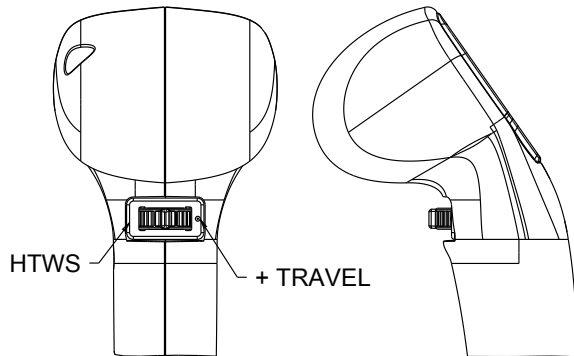
CONFIGURATION #2



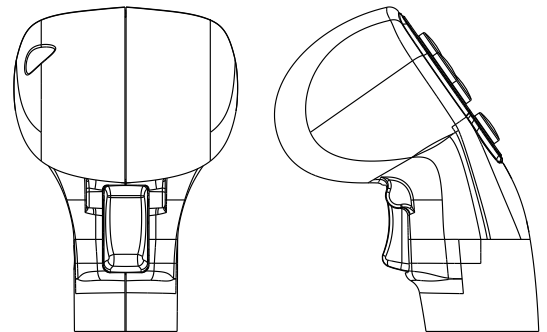
CONFIGURATION #3



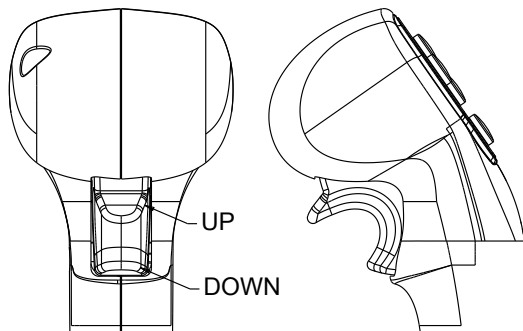
CONFIGURATION #4



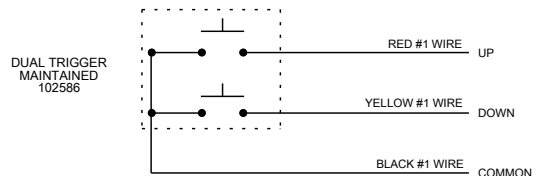
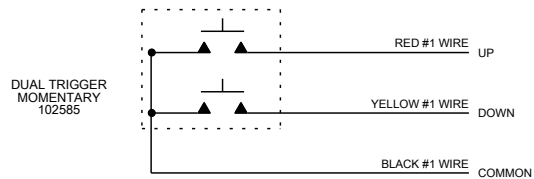
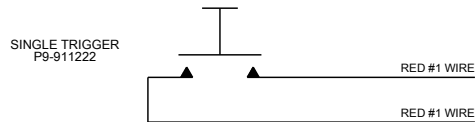
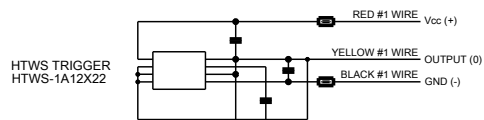
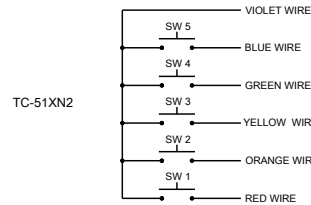
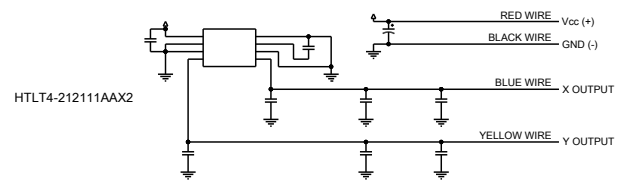
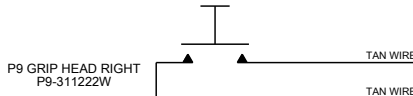
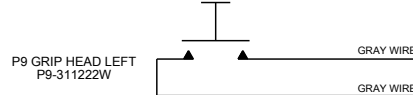
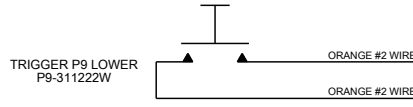
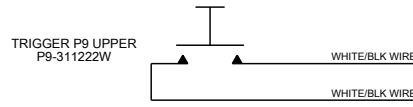
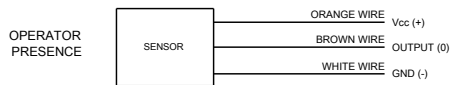
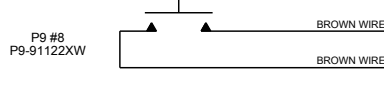
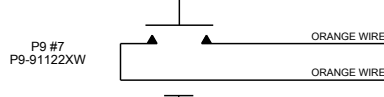
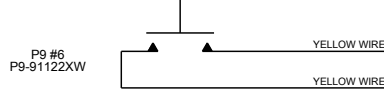
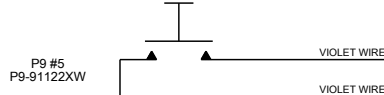
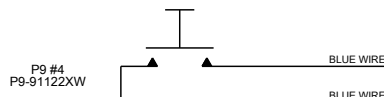
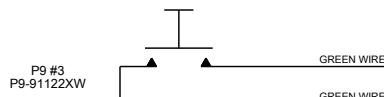
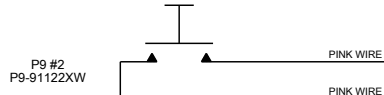
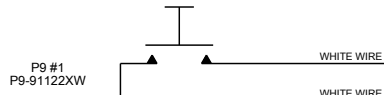
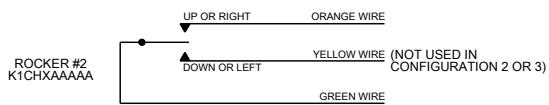
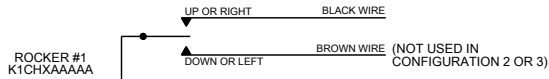
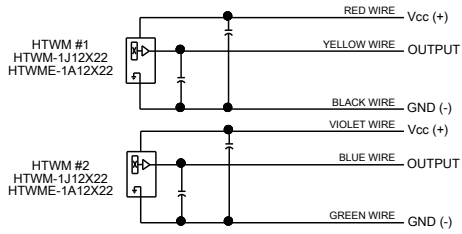
CONFIGURATION #5



CONFIGURATION #6,7



G3-C UNIVERSAL SCHEMATICS



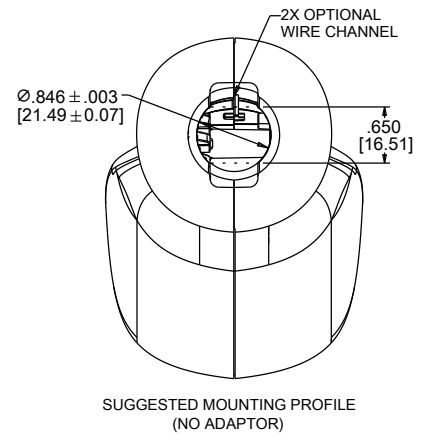
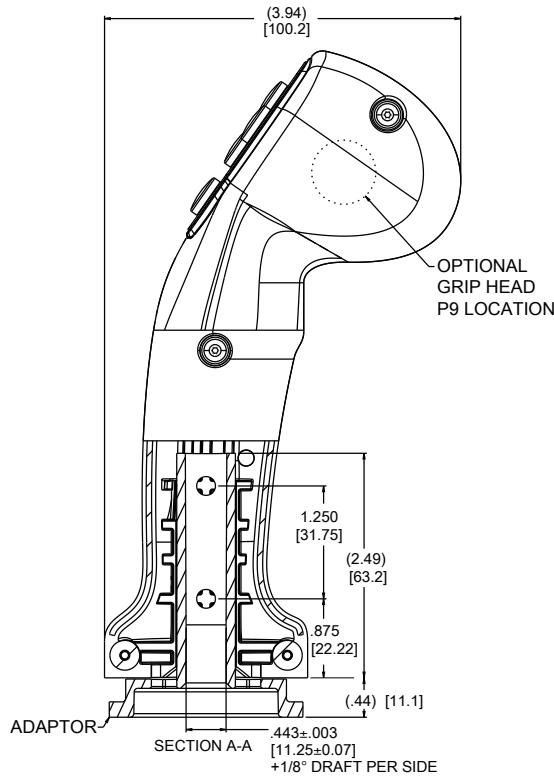
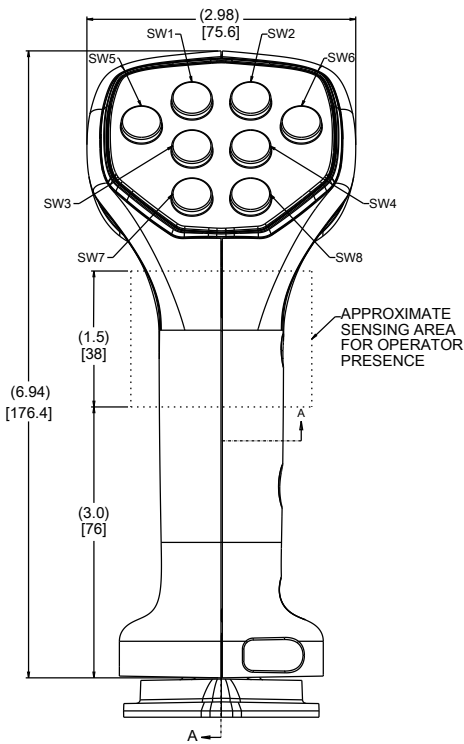
G3-CK UNIVERSAL GRIP PART NUMBER CODE

G3-CK	X	X	X	X	X	X	X
Adaptor	Center Keypad Configuration	Side Keypad Configuration	Back Lighting*	Trigger Option	P9 In Head (Black)	Operator Presence**	
1. None 2. Standard	4. 4 Buttons 6. 6 Buttons 8. 8 Buttons	1. None L. Left Hand R. Right Hand	N. None L. Lighted	1. None 2. One Pushbutton – Black 3. One Pushbutton – Red 4. Single 5. Dual Momentary 6. Dual Maintained 7. Two Pushbuttons – Black 8. Two Pushbuttons – Red 9. HTWS	1. None 2. Left Hand 3. Right Hand 4. Both	1. None 2. Handle	

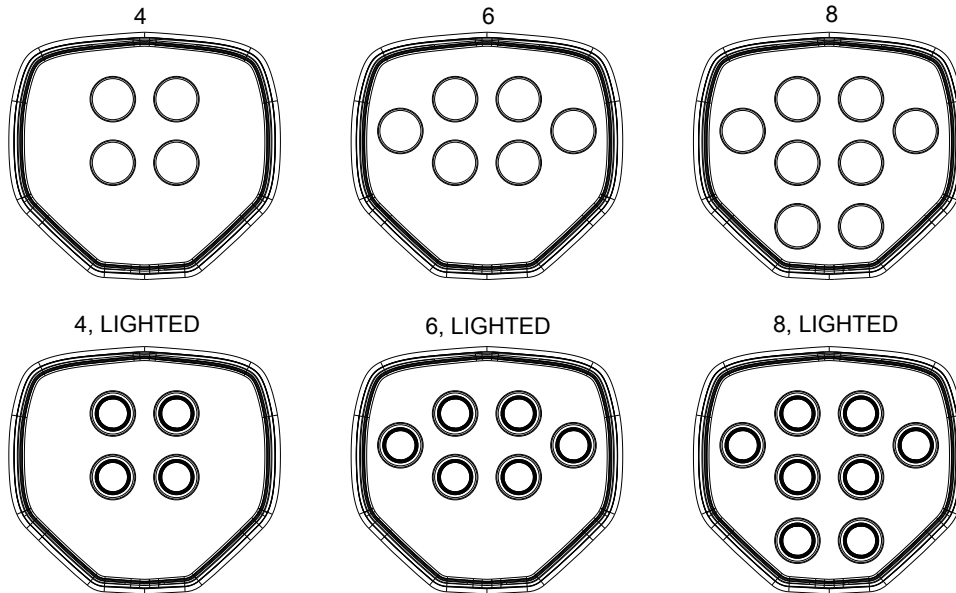
* Backlighting applies to both the Keypad and Side Keypad

** Operator Presence is not available with Trigger Option 5 or 6.

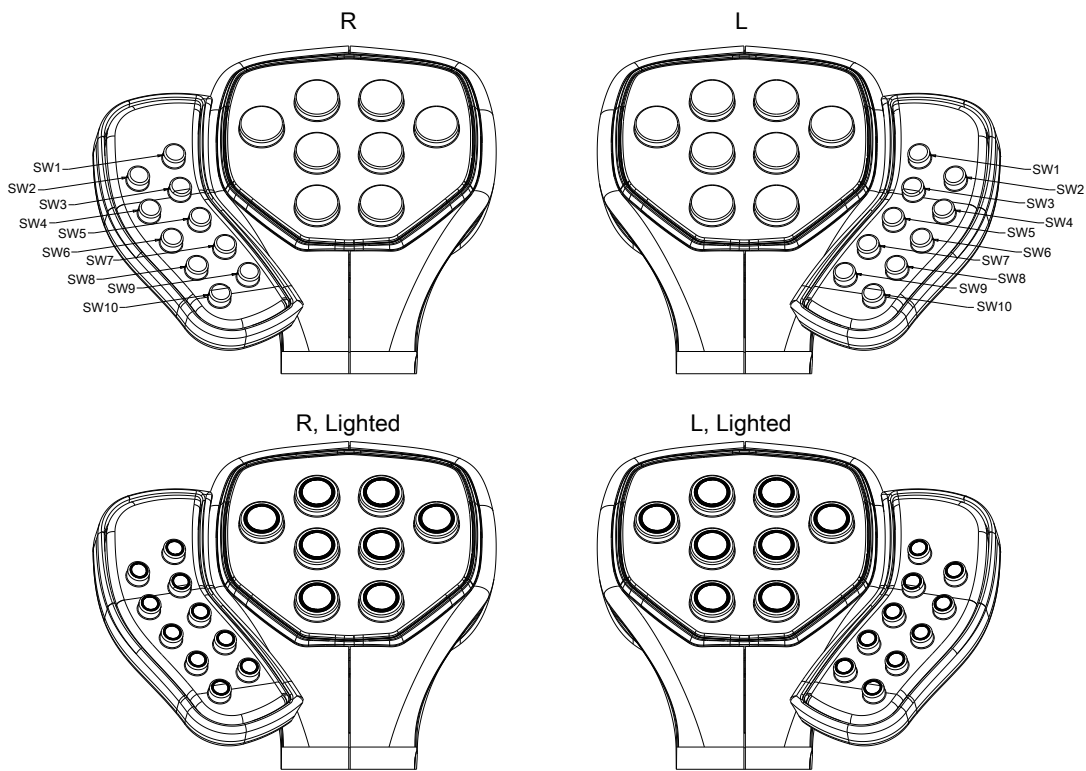
G3-CK UNIVERSAL GRIP DRAWINGS



G3-CK UNIVERSAL KEYPAD CONFIGURATIONS



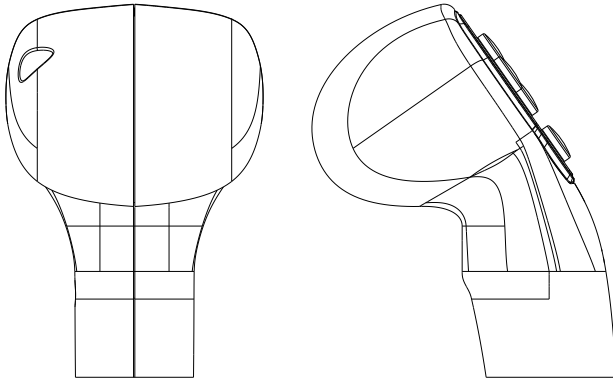
CENTER KEYPAD CONFIGURATIONS



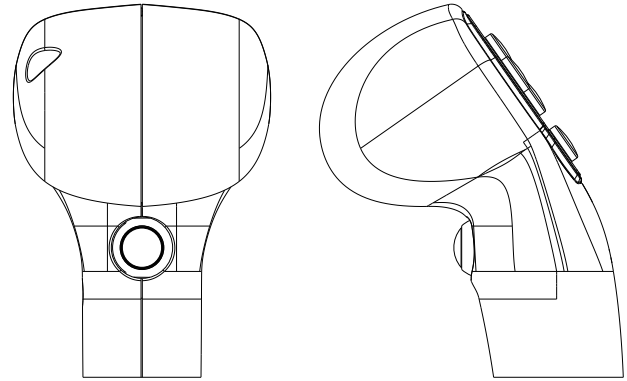
SIDE KEYPAD CONFIGURATIONS

G3-CK UNIVERSAL TRIGGER CONFIGURATIONS

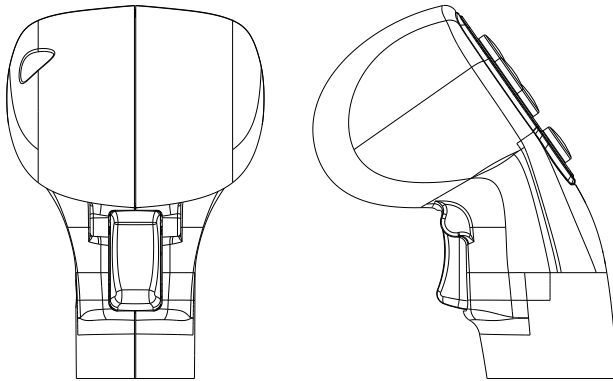
CONFIGURATION #1



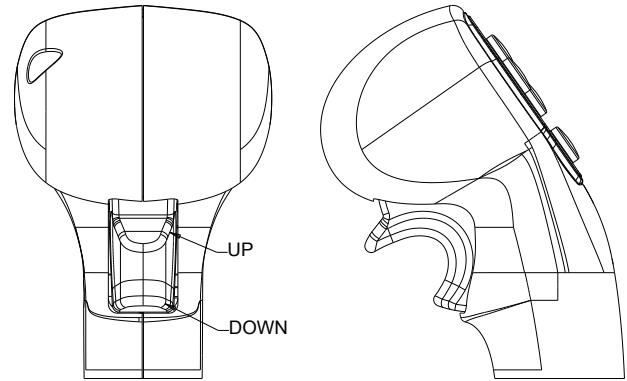
CONFIGURATION #2, 3



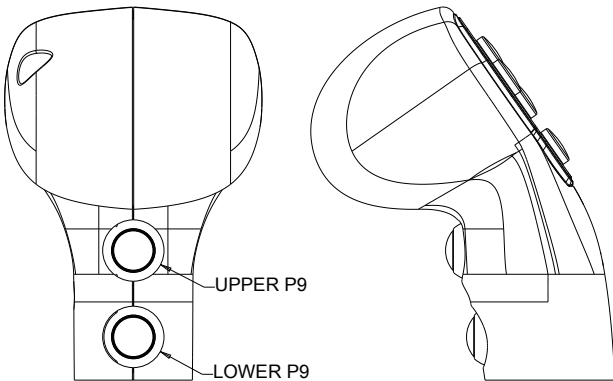
CONFIGURATION #4



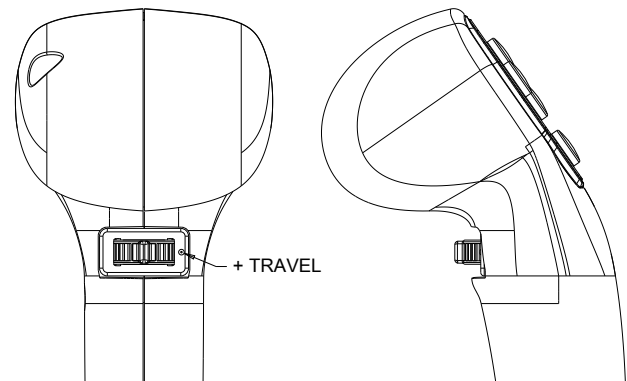
CONFIGURATION #5, 6



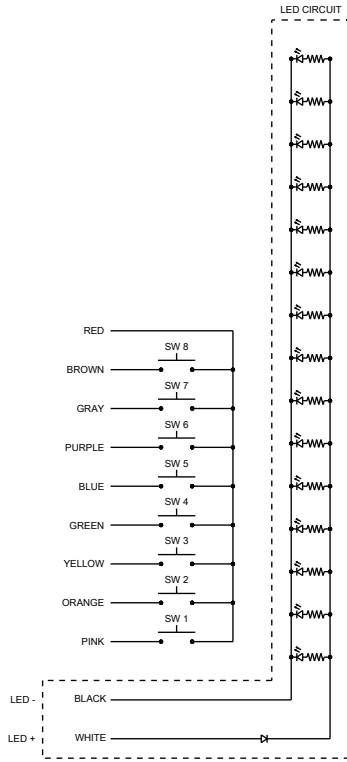
CONFIGURATION #7, 8



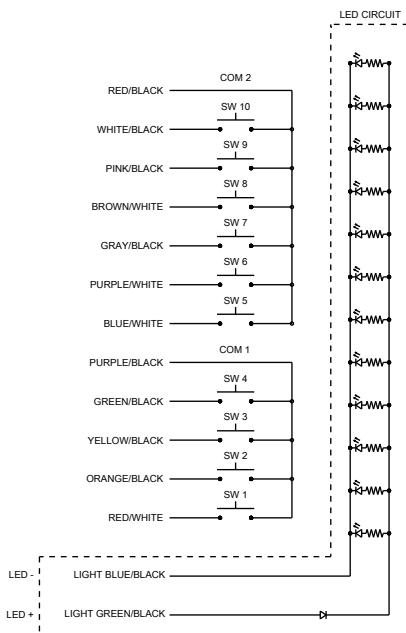
CONFIGURATION #9



G3-CK UNIVERSAL SCHEMATICS



CENTER KEYPAD SCHEMATIC
WITH OPTIONAL LED
CIRCUIT SHOWN



SIDE KEYPAD SCHEMATIC
WITH OPTIONAL LED
CIRCUIT SHOWN

