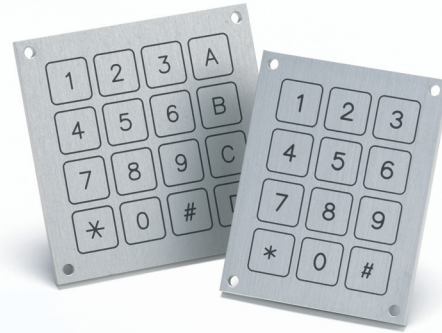


**SERIES 37F**  
Keypads

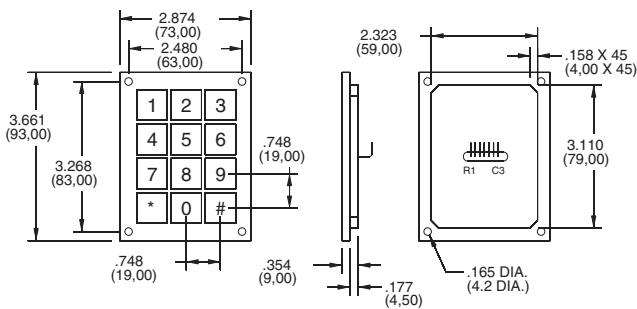
**FEATURES**

- Fully Sealed
- Virtually Indestructible
- Vandal Resistant
- Indoor and Outdoor Use

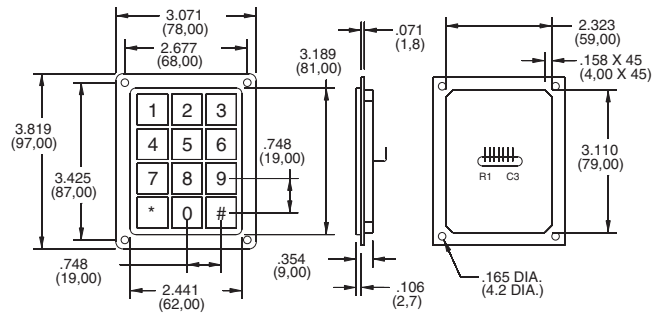


**DIMENSIONS** In inches (and millimeters)

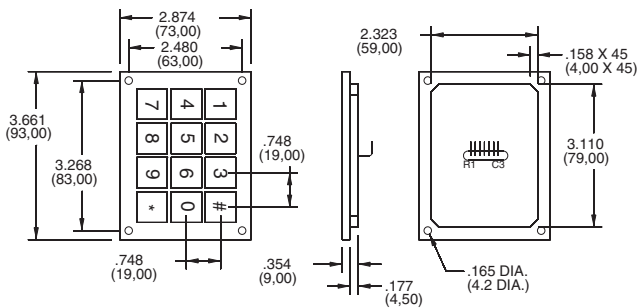
**3x4 Keypad**



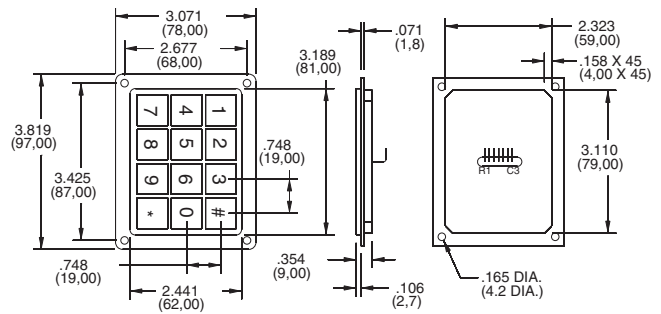
**FRONT MOUNT OPT- #1**



**REAR MOUNT OPT- #3**



**FRONT MOUNT OPT- #2**

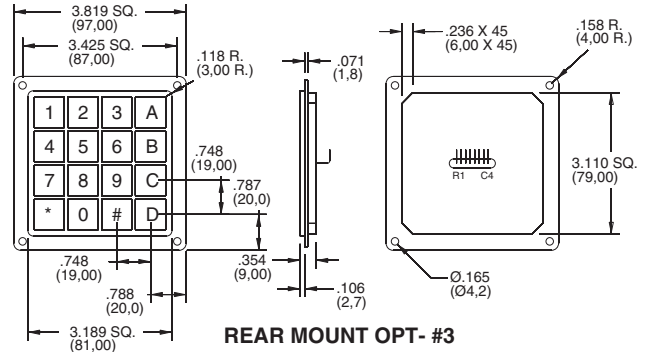
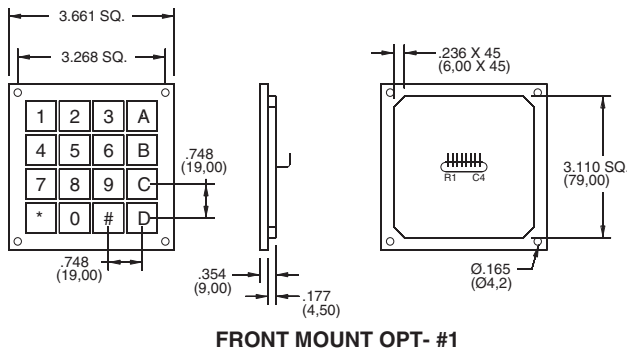


**REAR MOUNT OPT- #4**

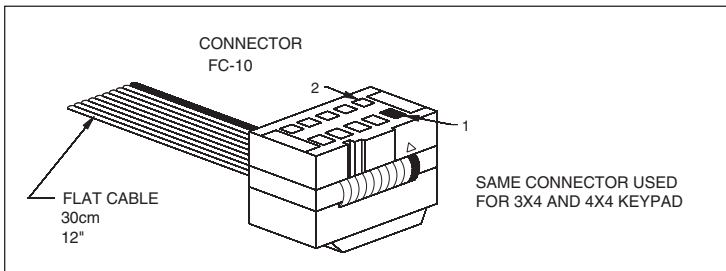
Keypads and Keypads

## DIMENSIONS In inches (and millimeters)

### 4X4 Keypad



## CONNECTORS In inches (and millimeters)



## CODE AND TRUTH TABLES

3X4 Connector Pin Number		1	2	3	4	5	6	7
SWITCH POSITIONS	1				●			●
	2				●			●
	3				●	●		
	4			●				●
	5			●			●	
	6			●		●		
	7		●					●
	8		●					●
	9		●			●		
	10	●						●
	11	●					●	
	12	●				●		

4X4 Connector Pin Number		1	2	3	4	5	6	7	8
SWITCH POSITIONS	1	●				●			
	2	●						●	
	3	●							●
	4	●							●
	5		●			●			
	6		●					●	
	7		●						●
	8		●						●
	9			●		●			
	10			●				●	
	11			●					●
	12			●					●
	13				●	●			
	14				●		●		
	15				●			●	
	16				●				●

## SPECIFICATIONS

### Rating Criteria

**Rated Voltage:** 0 – 24V AC/DC

**Rated Current:** 0 – 2 Amps.

**Resistance “ON”:** <10 Ohms.

**Resistance “OFF”:** >5 megohms

**Switch Capacitance:** 25pF

**Switch Functioning:** One Shot

**Activation Force:** 3-5N Typ.

**Operating Temperature:** -40°C to 85°C  
(40° to 125°C upon requested)

**Lifecycle:** >50 million

**EMI or RFI Effect:** None

**Housing Material:** Aluminium

**Protection System:** IP68  
according to IEC 529.

## ORDERING INFORMATION

